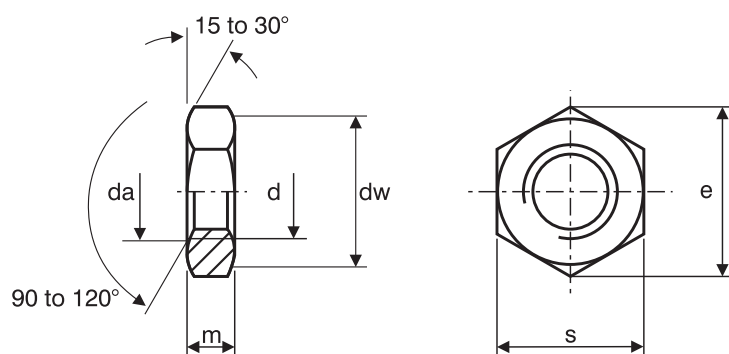


Hexagon Lock Nuts

DIN 439 - 2



DIN 439-2 Dimensions of nuts

Nominal size and thread diameter d	p	da		dw	e	m		s	
	(coarse pitch series)	min.	max.	min.	min.	min.	max.	min.	nom.
M10	1.50	10.00	10.80	15.60	18.90	4.70	5.00	16.73	17.00
M12	1.75	12.00	13.00	17.40	21.10	5.70	6.00	18.67	19.00
M14	2.00	14.00	15.10	20.50	24.49	6.42	7.00	20.67	21.00
M16	2.00	16.00	17.30	22.50	26.75	7.42	8.00	23.67	24.00
M18	2.50	18.00	19.50	24.90	29.56	8.42	9.00	26.16	27.00
M20	2.50	20.00	21.60	27.70	32.95	9.10	10.00	29.16	30.00
M22	2.50	22.00	23.80	29.50	35.03	9.90	11.00	31.00	32.00
M24	3.00	24.00	25.90	33.20	39.55	10.90	12.00	35.00	36.00
M27	3.00	27.00	29.20	38.00	45.20	12.40	13.50	40.00	41.00
M30	3.50	30.00	32.40	42.70	50.85	13.90	15.00	45.00	46.00
M33	3.50	33.00	35.60	46.60	55.37	15.40	16.50	49.00	50.00
M36	4.00	36.00	38.90	51.10	60.79	16.90	18.00	53.80	55.00
M39	4.00	39.00	42.10	55.90	66.44	18.20	19.50	58.80	60.00
M42	4.50	42.00	45.40	60.00	71.30	19.70	21.00	63.10	65.00
M45	4.50	45.00	48.60	64.70	76.95	21.20	22.50	68.10	70.00
M48	5.00	48.00	51.80	69.40	82.60	22.70	24.00	73.10	75.00
M52	5.00	52.00	56.20	74.20	88.25	24.70	26.00	78.10	80.00

Hexagon Lock Nuts

DIN 439 - 2

Specification for nuts and reference standards

Characteristic		Standard
Material		Steel
General Requirements		As specified in DIN 267 Parts 1.
Thread	Tolerance	6H ^a
	As specified in	DIN 13 Part 12 and 15.
Mechanical Properties (nut body)	Property Class (material)	d < 3mm: 14H, M3 ≤ d ≤ M39: 04, 05 d > M39: by agreement
	International Standards	M3 ≤ d ≤ M39: ISO 898-2 d < M3 and d > M39: as agreed
Limit deviations and geometrical tolerances	Property Grade	For sizes up to M16: A (previously, design m). For sizes over M16: B (previously, design mg).
	As specified in	ISO 4759 Part 1
Surface finish		As processed.
		DIN 267 Part 2 shall apply with regard to surface roughness.
		DIN 267 Part 21 shall apply with regard to the widening test.
		DIN 267 Part 20 shall apply with regard to permissible surface discontinuities.
		DIN 267 Part 9 shall apply with regard to electroplating.
		DIN 267 Part 10 shall apply with regard to hot dip galvanising.
Acceptable inspection		DIN 267 Part 5 shall apply with regard to acceptance inspection.
<p>a Where a protective coating is applied, e.g. an electroplated coating complying with DIN 267 Part 9, depending on the coating thickness required, it may be necessary, particularly in the case of tolerance class 6H nuts, to select a larger fundamental deviation than that assigned to the H position (see DIN 267 Part 9). This however, might impair the resistance of the bolt/nut assembly to stripping.</p>		