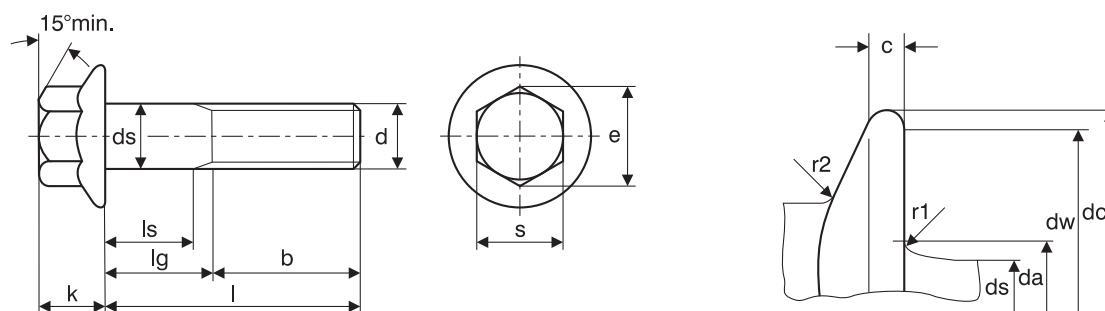


Hexagon Flange Bolts

DIN 6921 High Tensile



DIN6921 Dimensions of bolts

Nominal size and thread diameter d	Pitch of thread P	Thread Length b			Depth of flange c	Transition diameter da		Diameter of flange head dc	Diameter of unthreaded shank ds		Width across corners e	Thickness of head k	Radius under head r1	r2	With across flats s	
		Bolt ≤ 125	Bolt 125-200	Bolt ≥ 200		min.	nom.		max.	max.					max.	min.
M5	0.80	16	-	-	1.0	5.7	6.2	11.8	5.0	4.82	8.71	5.4	0.25	0.3	8.0	7.78
M6	1.00	18	-	-	1.1	6.8	7.4	14.2	6.0	5.82	10.95	6.6	0.4	0.4	10.0	9.78
M8	1.25	22	28	-	1.2	9.2	10.0	18.0	8.0	7.78	14.26	8.1	0.4	0.5	13.0	12.73
M10	1.50	26	32	45	1.5	11.2	12.6	22.3	10.0	9.78	16.50	9.2	0.4	0.6	15.0	14.73
M12	1.75	30	36	49	1.8	13.7	15.2	26.6	12.0	11.73	17.62	11.5	0.6	0.7	16.0	15.73
M14	2.00	34	40	53	2.1	15.7	17.7	30.5	14.0	13.73	19.86	12.8	0.6	0.9	18.0	17.73
M16	2.00	38	44	57	2.4	17.7	20.7	35.0	16.0	15.73	23.15	14.4	0.6	1.0	21.0	20.67
M20	2.50	46	52	65	3.0	22.4	25.7	43.0	20.0	19.67	29.87	17.1	0.8	1.2	27.0	26.67