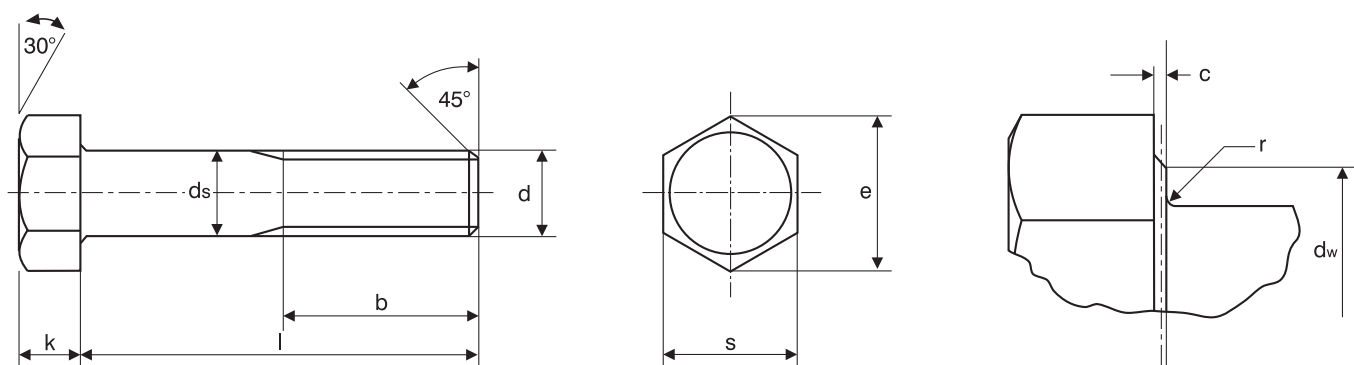


Hexagon Head Bolts & Setscrews

BS 1083 High Tensile



BS 1083 Dimensions of bolts

Nominal size and thread diameter d	Number of threads per inch		Thread Length b	Diameter of unthreaded shank ds		Width across flats s		Width across corners e	Dia. of washer face dw		Thickness of head k		Radius under head r	
	BSW	BSF.	min.	min.	max.	min.	max.	max.	min.	max.	nom.	min.	min.	max.
1/4	20	26	0.5000	0.2465	0.2500	0.438	0.445	0.51	0.418	0.428	0.166	0.176	0.015	0.025
5/16	18	22	0.6250	0.3090	0.3125	0.518	0.525	0.61	0.498	0.508	0.208	0.218	0.015	0.025
3/8	16	20	0.7500	0.3715	0.3750	0.592	0.600	0.69	0.572	0.582	0.250	0.260	0.015	0.025
7/16	14	18	0.8750	0.4335	0.4375	0.702	0.710	0.82	0.680	0.690	0.292	0.302	0.015	0.025
1/2	12	16	1.0000	0.4960	0.5000	0.812	0.820	0.95	0.790	0.800	0.333	0.343	0.015	0.025
9/16	12	16	1.0625	0.5585	0.5625	0.912	0.920	1.06	0.890	0.900	0.365	0.375	0.020	0.045
5/8	11	14	1.2500	0.6190	0.6250	1.000	1.010	1.17	0.975	0.985	0.407	0.417	0.020	0.045
3/4	10	12	1.5000	0.7440	0.7500	1.190	1.200	1.39	1.165	1.175	0.480	0.500	0.020	0.045
7/8	9	11	1.7500	0.8670	0.8750	1.288	1.300	1.50	1.263	1.273	0.563	0.583	0.040	0.065
1	8	10	2.0000	0.9920	1.0000	1.468	1.480	1.71	1.443	1.453	0.636	0.666	0.060	0.095
1.1/8	7	9	2.2500	1.1170	1.1250	1.640	1.670	1.93	1.610	1.620	0.710	0.750	0.060	0.095
1.1/4	7	9	2.5000	1.2420	1.2500	1.815	1.860	2.15	1.785	1.795	0.790	0.830	0.060	0.095
1.3/8	-	8	2.7500	1.3650	1.3750	2.005	2.050	2.37	1.975	1.985	0.880	0.920	0.060	0.095
1.1/2	6	8	3.0000	1.4900	1.5000	2.175	2.220	2.56	2.145	2.155	0.960	1.000	0.060	0.095
1.3/4	5	7	3.5000	1.7400	1.7500	2.520	2.580	2.98	2.485	2.495	1.110	1.170	0.060	0.095
2	4.5	7	4.0000	1.9900	2.0000	2.700	2.760	3.19	2.665	2.675	1.270	1.330	0.060	0.095